

DZH3000 SERIES



CALDWELL, IDAHO USA (208) 585-2929



Diamond Z and Rule Steel are proud to announce the unveiling of our newest Diamond Z Horizontal Grinder. Continuing Diamond Z's tradition of industry innovation and excellence, this machine is sure to make an impact on the industrial grinding world. This smaller, lighter, more cost efficient model is infused with all of Diamond Z's proven performance. At 580 horsepower in a 28,500 kg package, the DZH3000 is sure to take its place among Diamond Z's elite horizontal machines.

Please visit our website for more information. www.DiamondZ.com



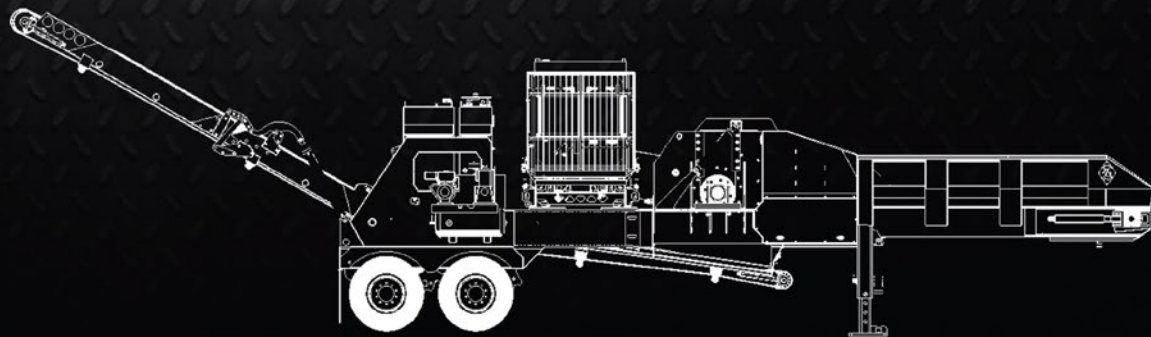
3000 SERIES SPECS



DZH3000

HORSEPOWER:	580
TRANSMISSION:	FLUID COUPLING DRIVE
LENGTH:	11.5M
WIDTH:	3.2M
HEIGHT:	4.0M
WEIGHT:	28,500KG
SCREEN AREA:	

3000 SERIES PRODUCTION RATES:



CONSTRUCTION WASTE:	62T/HR OR 360M ³ /HR
BRUSH & YARD WASTE:	76T/HR OR 260M ³ /HR
STUMPS AND LOGS:	45T/HR OR 110M ³ /HR

STANDARD FEATURES: Fluid coupling mill drive, reversing fan, radio remote control, tool box, engine cover, and super-screw belt lacing.

Weights vary depending on options. Widths based on 600 mm tracks or Transporter width.

Diamond Z reserves the right to improve our products and make changes without notice. Actual products and production rates may vary.